

Profile/counter profile block 6.5mm tongue with TC disposable inserts

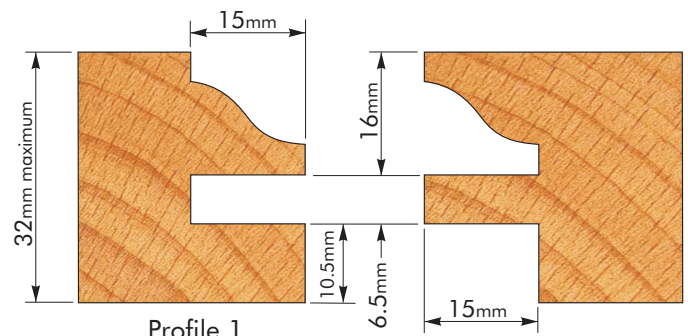
A two wing steel cutter block with easily replaceable TC profile inserts. The block will cut the profile and matching counter profile to produce joints for cabinet doors, panelling etc. in all solid timbers and man-made boards. The replaceable tips ensure consistent cutting performance with no sharpening necessary: simply replace the inserts when they become blunt. The block is supplied with a pair of profile knives fitted; additional knives may be purchased to change the profile. N.B. two knives are required which are priced singly.

The block is suitable for jointing material from 24 to 32mm in thickness, has a tongue and groove width of **6.5mm** and a profile width of 15mm. A guide ring 110mm diameter is available to match this block - see page 54.

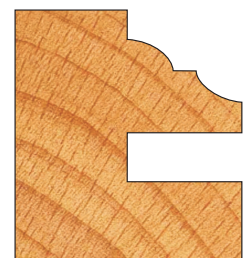
Manufactured to EN847-1/2 - suitable for HAND FEEDING.



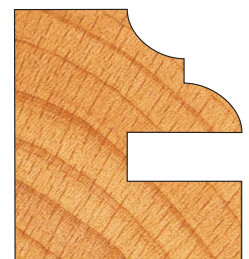
| Part number | Size dia. | height | bore | Profile | Maximum RPM | Price inc. VAT |
|-------------|-----------|--------|--------|---------|-------------|----------------|
| F263450 | 140 | 50 | 30 | 1 | 8,000 | £246.00 |
| F263453 | 140 | 50 | 1 1/4" | 1 | 8,000 | £246.00 |
| F263460 | 140 | 50 | 30 | 2 | 8,000 | £246.00 |
| F263463 | 140 | 50 | 1 1/4" | 2 | 8,000 | £246.00 |
| F263470 | 140 | 50 | 30 | 3 | 8,000 | £246.00 |
| F263473 | 140 | 50 | 1 1/4" | 3 | 8,000 | £246.00 |
| F263480 | 140 | 50 | 30 | 4 | 8,000 | £246.00 |
| F263483 | 140 | 50 | 1 1/4" | 4 | 8,000 | £246.00 |



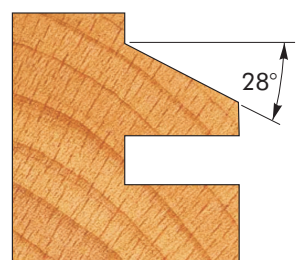
Full size cross sections of profiles



Profile 2



Profile 3

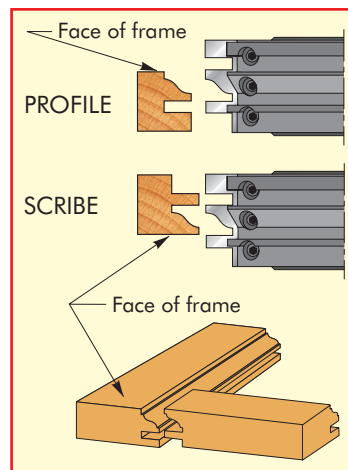


Profile 4

Replacement TC knives

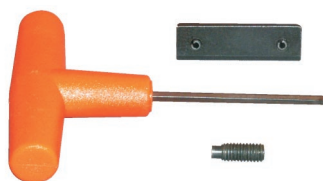
TC knives are priced and sold singly.

| Part number | Profile | Price inc. VAT |
|-------------|---------|----------------|
| F001206 | 1 | £33.36 |
| F001207 | 2 | £33.66 |
| F001208 | 3 | £33.66 |
| F001209 | 4 | £33.66 |



Spare parts

| Part number | Description | Price inc. VAT |
|-------------|-----------------|----------------|
| F003116 | Wedge 48mm | £9.75 |
| F003128 | Clamp screw M8 | £1.50 |
| F003134 | Hex key 4mm | £4.86 |
| F002073 | Adjusting screw | £2.95 |



Stackable planer cutterheads with TC disposable inserts



Steel cutterhead with TC knives that can be stacked to build up the cutting height required. May be used on power feed spindle and four-head moulders. Suitable for semi finishing work as the tolerance from block to block will be within 0.03 to 0.05mm.

The cutters are staggered and the blocks interlock to prevent them spinning against each other.

Manufactured to EN847-1/2 - suitable for HAND FEEDING.

| Part number | Size | | | Knives | Maximum RPM | Price inc. VAT |
|-------------|------|--------|--------|--------|-------------|----------------|
| | dia. | height | bore | | | |
| F254030 | 125 | 30 | 30 | 4 | 9,000 | £87.00 |
| F254033 | 125 | 30 | 1 1/4" | 4 | 9,000 | £87.00 |
| F254050 | 125 | 50 | 30 | 4 | 9,000 | £102.00 |
| F254053 | 125 | 50 | 1 1/4" | 4 | 9,000 | £102.00 |

Blades and spare parts

TC knives are priced and sold singly.

| Part number | Description | Price inc. VAT |
|-------------|----------------|----------------|
| F001030 | TC knife 30mm | £2.06 |
| F001050 | TC knife 50mm | £3.02 |
| F003128 | Clamp screw M8 | £1.50 |
| F002022 | Wedge 28mm | £7.50 |
| F002023 | Wedge 48mm | £7.50 |

